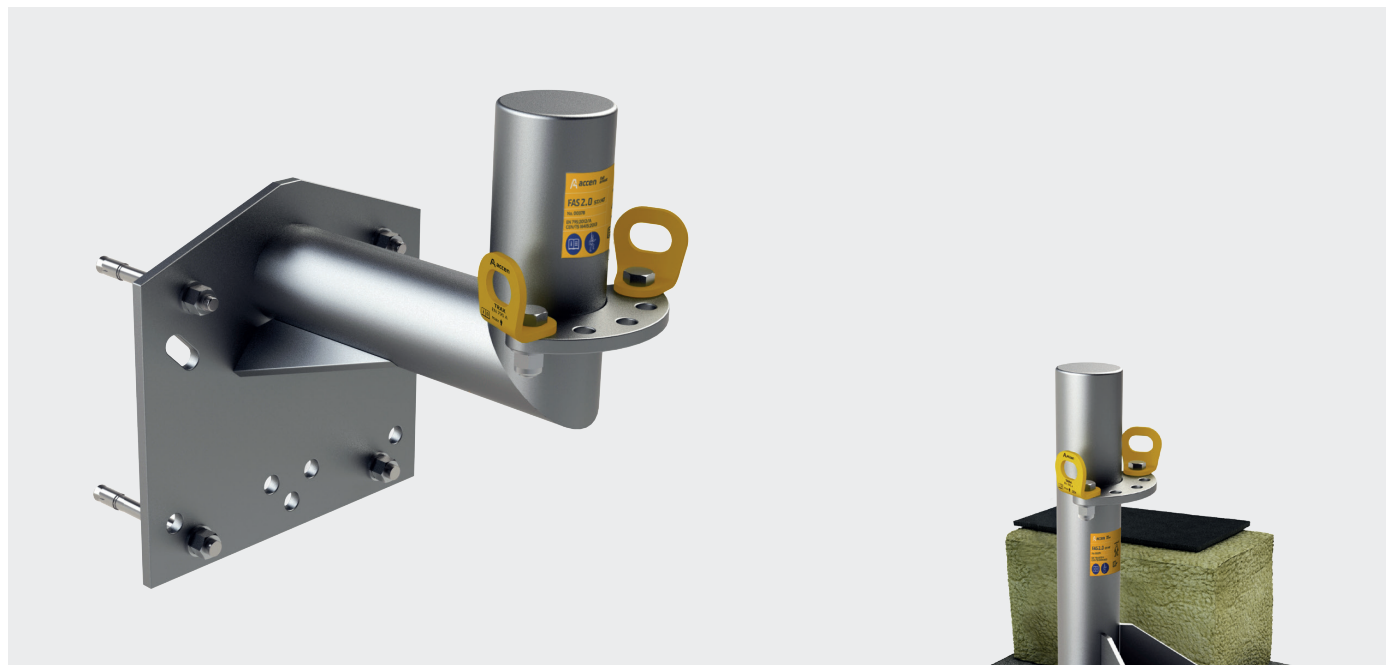


# FAS 2.0

The facade access



**FAS is a special anchoring device for working at heights using rope climbing techniques (also called industrial climbing).**

The construction of the entire system allows for safe work on the facade of the building thanks to the use of booms that secure the edges of the attic walls with flashing. It works perfectly on buildings when carrying out works related to façade maintenance, such as cleaning, repairs, replacing glass, and applying one vision foil.

The FAS consists of seats and booms that act as a guide and rope extraction for an employee descending on the elevation. The seats are permanently anchored to the attic or ceiling. Every time during the work, the boom is placed on a seat that is permanently anchored to the building structure.

The standard reach of the cranes is from 1 to 2,5 meters with the possibility of adjusting the angle of work set in the seats, thanks to which we gain comfortable access to a wide field of coverage. In the case of tall attics, special platforms can be mounted at each of the seats. The anchor points to which the ropes are plugged are always located on the seats, which increases the safety of use and ergonomics.

# FAS 2.0

The facade access



In accordance with the applicable regulations, working with rope access techniques requires the use of two ropes, therefore each seat is equipped with anchor points allowing for the attachment of a working rope and a belaying rope. In seats with a service option, the third anchoring point is used for technical rope transport, e.g. when replacing the glass.

FAS meets all requirements of the regulations regarding working at heights with rope access techniques.

The use of the system is not subject to the provisions of the The Office of Technical Inspection, which simplifies all the formalities for putting the system into service. However, it requires annual periodic inspections, carried out by an authorized service center.

FAS is an alternative to very expensive solutions such as hanging platforms, work platforms or mast trolleys.

In many cases, it is the only solution that can be used, allowing access to façade and other hard to reach places.

All FAS elements are made of galvanized steel and can be additionally painted in any RAL colour.

Anchoring points are made of high quality stainless steel and meet the requirements of the standard for anchoring equipment PN-EN795:2012, class A.

FAS is a system solution tested for compliance with the PN-EN 795:2012, standard, therefore it does not require additional design and technical documentation and calculations. All the elements securing the system of belaying and working rope are transferring forces of minimum 12kN without their deformation, booms can be statically loaded up to 3 kN.

## Specification

<b>Material</b>	STEEL GALVANIZED, INOX
<b>Weight</b>	10-25 kg
<b>Size</b>	max. 2 m
<b>Users</b>	1
<b>Standard</b>	EN 795:2012, EN 363
<b>Warranty</b>	12 months

## Mounting substrates

<b>Reinforced concrete</b>	class C20/25
----------------------------	--------------