

PATROL OVERHEAD



OVERHEAD LIFELINE ON STEEL AND CONCRETE



APPLICATION

Lifeline for aerial applications such as maintenance of coaches, trucks, machinery and aeroplanes.



SAFE

Sliding device that allows operators to pass intermediate elements and curves without ever disengaging from the system.

PRACTICAL

Possibility of anchoring to the upside-down TOWER support to lower the lifeline relative to the ceiling.



LOAD DIRECTION



TYPES OF APPLICATION



VIDEO



MANUALS

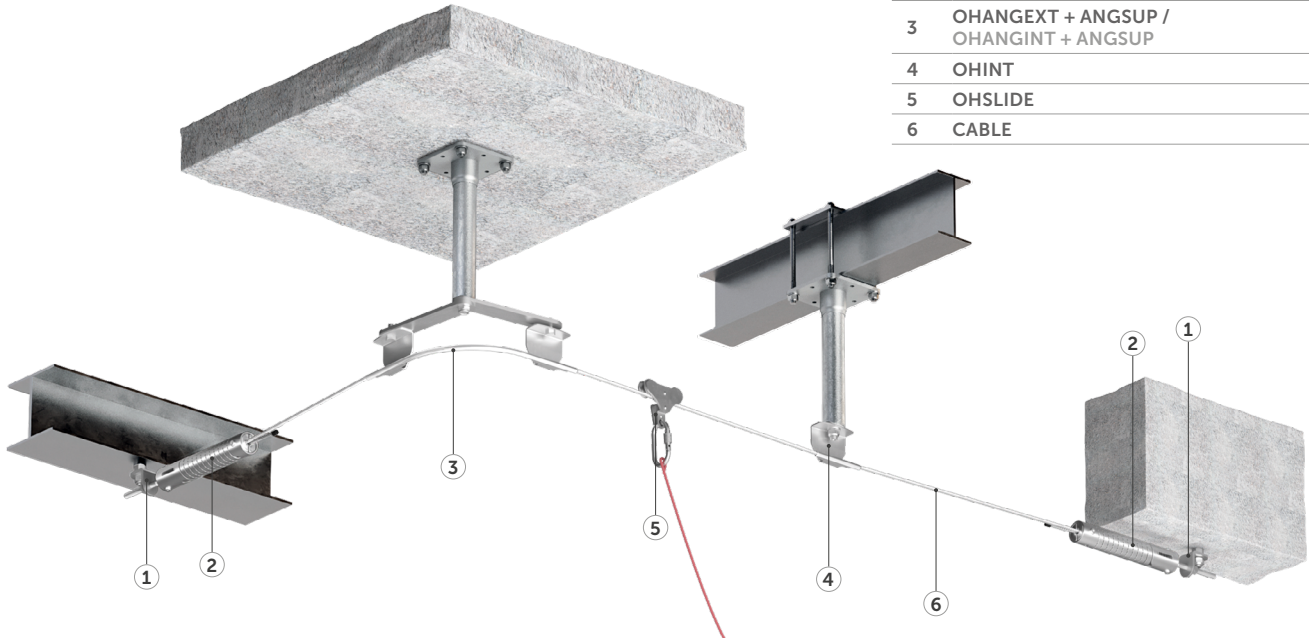


▼ Installation of an overhead PATROL lifeline directly on the steel or concrete supporting structure.



PATROL LIFELINE COMPONENTS

n.	CODE
1	PATROLEND / PATROLTERM
2	SPEAREVO / SPEAR
3	OHANGEXT + ANGSUP / OHANGINT + ANGSUP
4	OHINT
5	OHSLIDE
6	CABLE



TECHNICAL DATA*

substructure	minimum thickness	fasteners
C20/25	140 mm	rod $\varnothing 12/\varnothing 16$ VIN-FIX HYB-FIX
S235JR	5 mm	EKS + ULS + MUT

		with SPEAR	with SPEAREVO NEW
minimum spacing	X_{min} [m]	2	2
maximum spacing	X_{max} [m]	7,5	15
maximum deflection	Y_{max} [m]	1,30	3,35

* The values indicated are the result of experimental tests carried out under the supervision of third parties in accordance with the standard referred to. For a calculation report with minimum distances according to the relevant standard requirements, the substructure must be checked by a qualified engineer before installation.

PATROLEND | CODES AND DIMENSIONS

A2
AISI 304

CODE	material	B	H	L	s	pcs	
		[mm]	[mm]	[mm]	[mm]		
PATROLEND	AISI 304 stainless steel grade 1.4301	40	61	66	6	1	
PATROLTERM	AISI 304 stainless steel grade 1.4301						

COMPLEMENTARY PRODUCTS

CODE	description	page		CODE	description	page	
OHINT	pass-through intermediate element for aerial application	48		OHANGEXT	outside pass-through angle bracket for aerial application in A4	50	
OHANGINT	inside pass-through angle bracket for aerial application in A4	49		ANGSUP	support for PASANGBENDA4, OHANGINTA4 and OHANGEXTA4	50	

For TOWER codes see page 22.